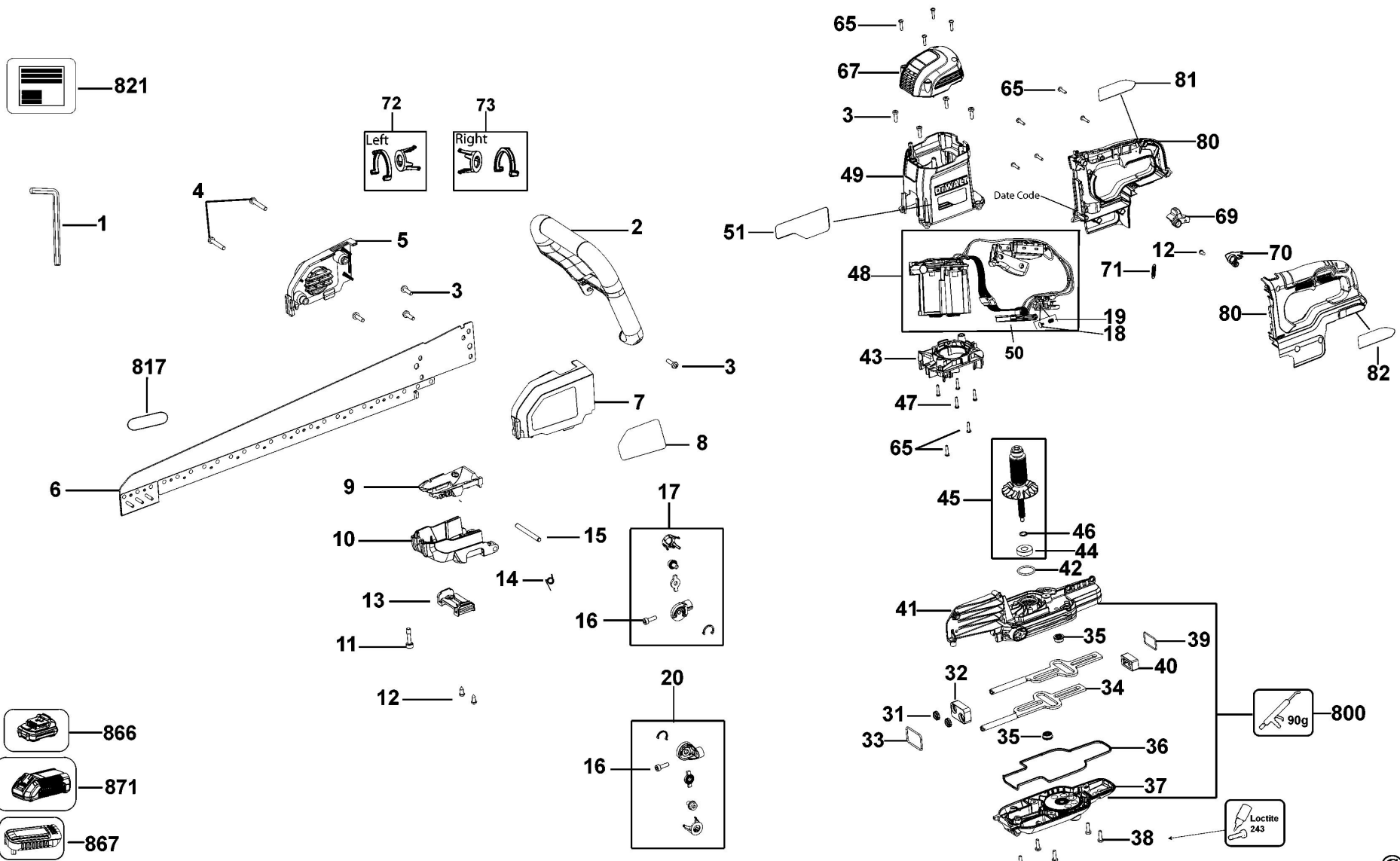


# DCS397 UNIVERSAL SAW 1



## Parts List DCS397 UNIVERSAL SAW 1

Item	Part Number	Qty	Part Description	General Description	Other Info	Repair Inst	Markets
1	098000-11	1	HEX KEY	5 MM		No	XJ
2	N097478	1	LOOP HANDLE			No	XJ
3	324007-11	4	SCREW	M5 X 18		No	XJ
4	330019-21	2	SCREW.TEMP			No	XJ
5	N507804	1	COVER RH			No	XJ
6	N233859	1	BAR			No	XJ
7	N507803	1	COVER LH			No	XJ
8	N217152	1	LABEL			No	XJ
9	N201132	1	FUNNEL			No	XJ
10	N839265	1	CAP			No	XJ
11	N125628	1	SCREW			No	XJ
13	N127049	1	GRIP			No	XJ
14	N119853	1	SPRING TORSION			No	XJ
15	N095820	1	PIN			No	XJ
16	N141827	2	SCREW			No	XJ
17	N915019	1	CLAMP SA RH	N915019 MORS DX		No	XJ
18	N122099	1	BLOCK			No	XJ
19	N119679	1	SPRING			No	XJ
20	N915018	1	CLAMP SA LH	N915018 MORS SX		No	XJ
31	N093430	2	SEAL			No	XJ
32	N077123	1	BEARING		Front	No	XJ
33	323711-41	1	O RING			No	XJ
34	N233863	2	SHAFT			No	XJ
35	N233864	2	BEARING SA			No	XJ
36	N093431	1	SEAL			No	XJ
37	N570074	1	GEARCASE			No	XJ
38	324007-11	9	SCREW	M5 X 18		No	XJ
39	577744-00	1	O RING			No	XJ
40	N077124	1	BEARING		Rear	No	XJ
41	N558736	1	GEARCASE SA		Incl Item 42	No	XJ
42	N165967	1	O RING			No	XJ
43	N483231	1	BAFFLE FAN			No	XJ

## Parts List DCS397 UNIVERSAL SAW 1

Item	Part Number	Qty	Part Description	General Description	Other Info	Repair Inst	Markets
44	330003-64	1	BEARING			No	XJ
45	N483240	1	ARMATURE SA			No	XJ
46	N138859	1	CIRCLIP			No	XJ
47	90611830	4	SCREW			No	XJ
48	N483264	1	STATOR SA			No	XJ
49	N483241	1	MOTOR HOUSING SA			No	XJ
50	N390703	1	MODULE			No	XJ
51	N467271	1	LABEL			No	XJ
65	330065-08	11	SCREW	M4x18 T20		No	XJ
67	N483242	1	END CAP SA			No	XJ
69	N092849	1	SWITCH LOCK OFF			No	XJ
70	N113779	1	CABLE GUIDE			No	XJ
71	N097616	1	SPRING TORSION			No	XJ
72	N515547	1	BLADE CLAMP			No	XJ
73	N515548	1	BLADE CLAMP			No	XJ
80	N483243	1	HANDLE SA			No	XJ
81	N459249	1	LABEL			No	XJ
82	N459248	1	LABEL			No	XJ
800	870889-02	1	GREASE			No	XJ
817	N217152	1	LABEL			No	XJ
821	N467270	1	RATING LABEL			No	XJ
867	N462141	1	SAFETY CAP			No	XJ